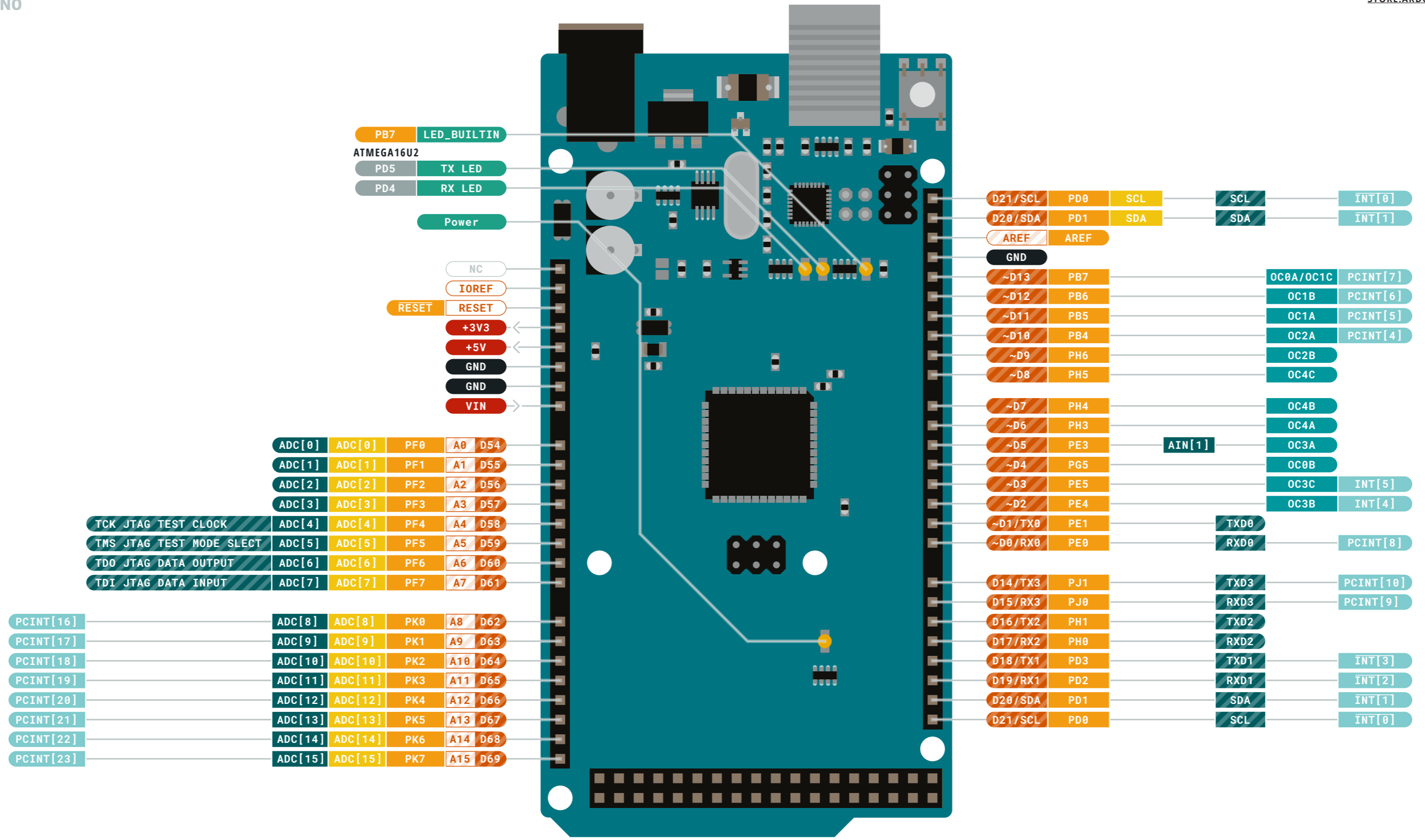


- Ground
- Power
- LED
- Internal Pin
- SWD Pin
- Digital Pin
- Analog Pin
- Other Pin
- Microcontroller's Port
- Default

**⚠** **MAXIMUM** current per I/O pin is 20mA **VIN** 6-20 V input to the board.

**⚠** **MAXIMUM** current per +3.3V pin is 50mA





Ground	Digital Pin	Analog
Power	Analog Pin	Communication
LED	Other Pin	Timer
Internal Pin	Microcontroller's Port	Interrupt
SWD Pin	Default	Sercom

**MAXIMUM** current per I/O pin is 20mA

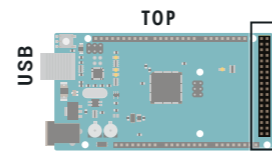
**MAXIMUM** current per +3.3V pin is 50mA

**VIN** 6-20 V input to the board.

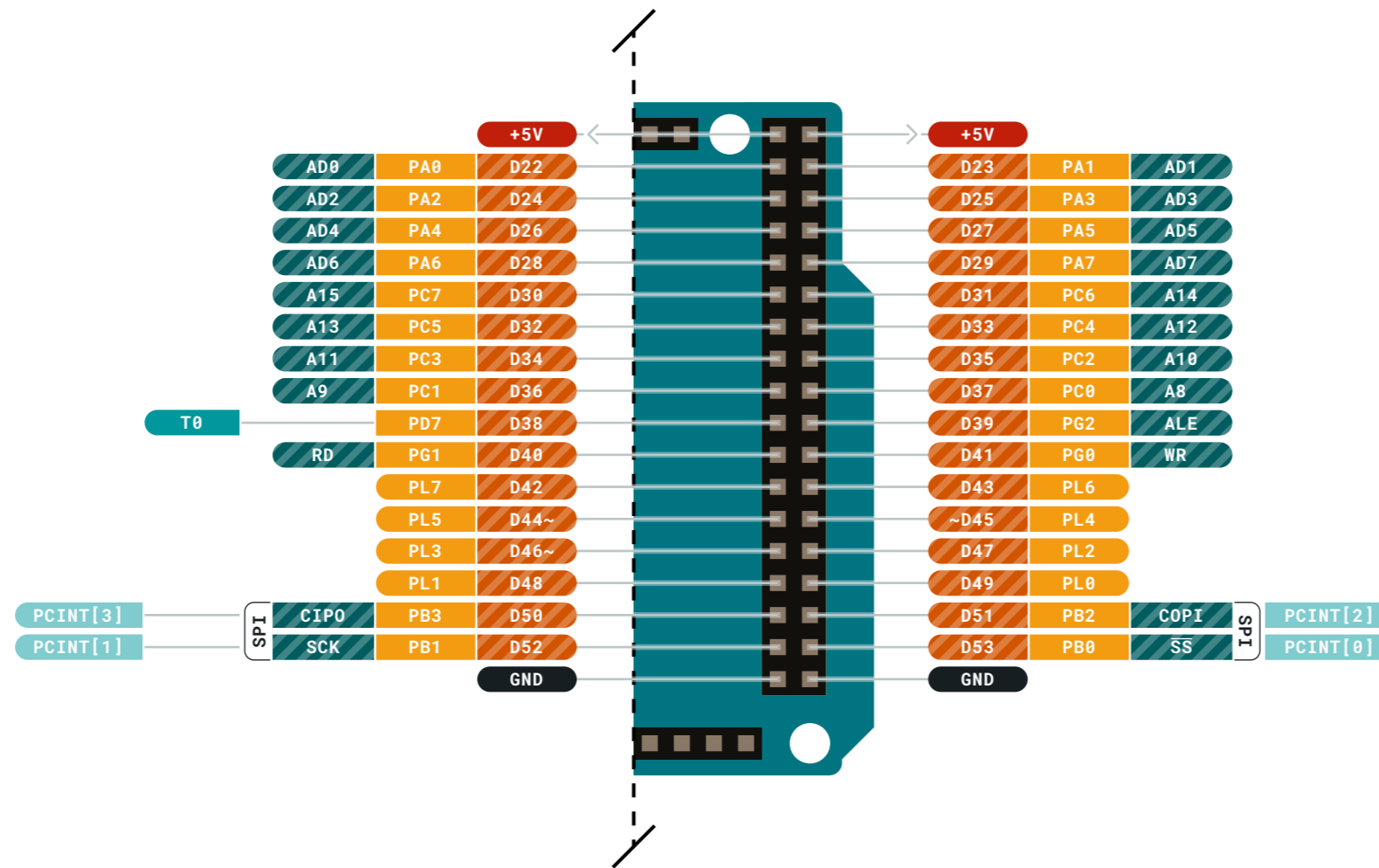
ARDUINO . CC

Last update: 16/12/2020

This work is licensed under the Creative Commons Attribution-ShareAlike 4.0 International License. To view a copy of this license, visit <http://creativecommons.org/licenses/by-sa/4.0/> or send a letter to Creative Commons, PO Box 1866, Mountain View, CA 94042, USA.



# Digital pins D22-D53



- Ground
- Power
- LED
- Internal Pin
- SWD Pin
- Digital Pin
- Analog Pin
- Other Pin
- Microcontroller's Port
- Default
- Analog
- Communication
- Timer
- Interrupt
- Sercom

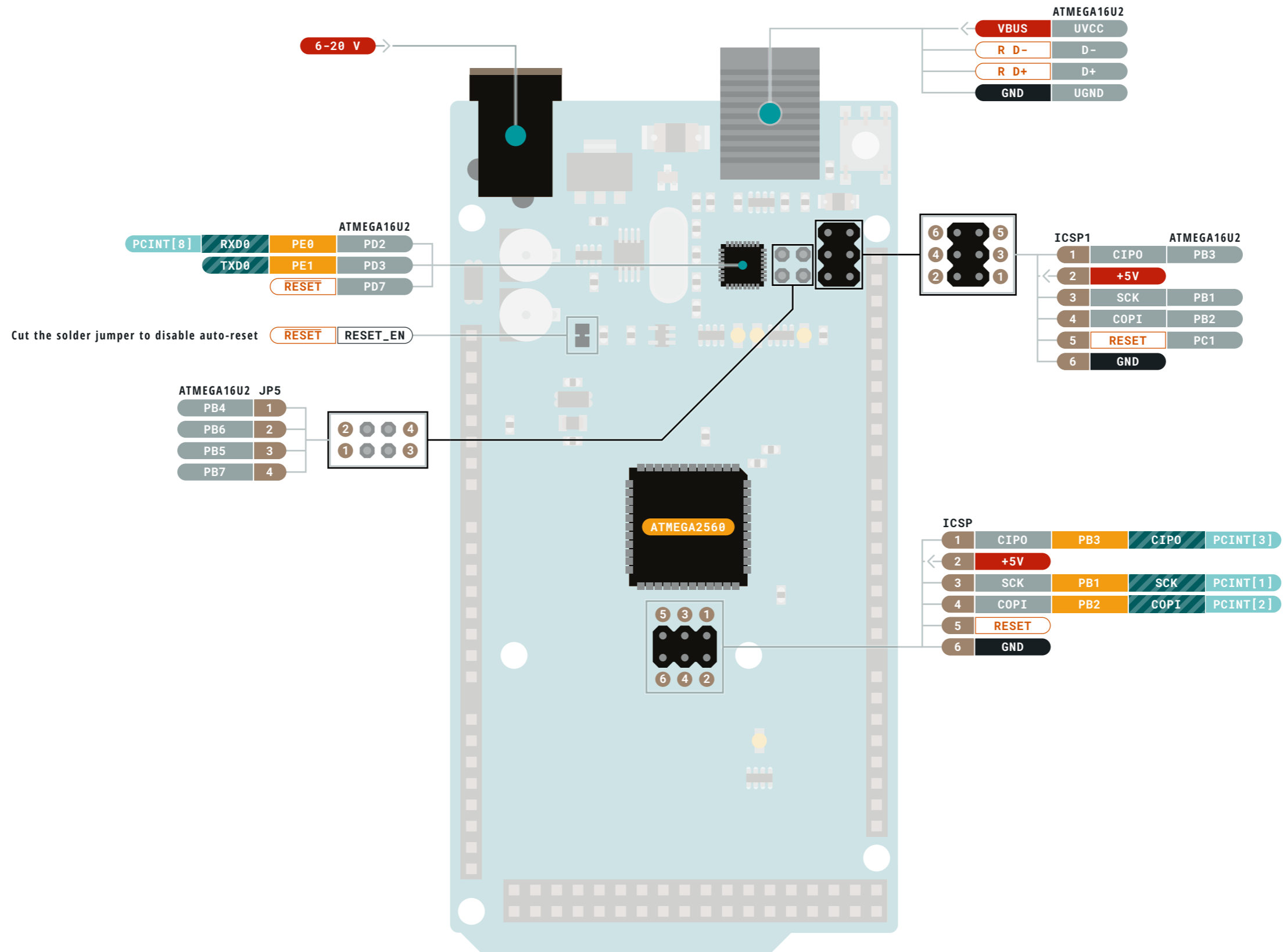
**!** **MAXIMUM** current per I/O pin is 20mA

**!** **MAXIMUM** current per +3.3V pin is 50mA

**VIN** 6-20 V input to the board.

NOTE: CIP0/COPI have previously been referred to as MISO/MOSI





- Ground
- Power
- LED
- Internal Pin
- SWD Pin
- Digital Pin
- Analog Pin
- Other Pin
- Microcontroller's Port
- Default
- Analog
- Communication
- Timer
- Interrupt
- Sercom

- ⚠ **MAXIMUM** current per I/O pin is 20mA
- ⚠ **MAXIMUM** current per +3.3V pin is 50mA

**VIN** 6-20 V input to the board.

NOTE: CIP0/COPI have previously been referred to as MISO/MOSI

